

High Pressure Pump Series HDP 800

Design criteria

Hammelmann high pressure pumps are built to operate at the continuous maximum duty stated in the performance parameters. Just compare the crankshaft speed, average plunger speed, plunger diameter and power rating.

High pressure pump

Weight: approx. 3700 kg

Energy
efficient →

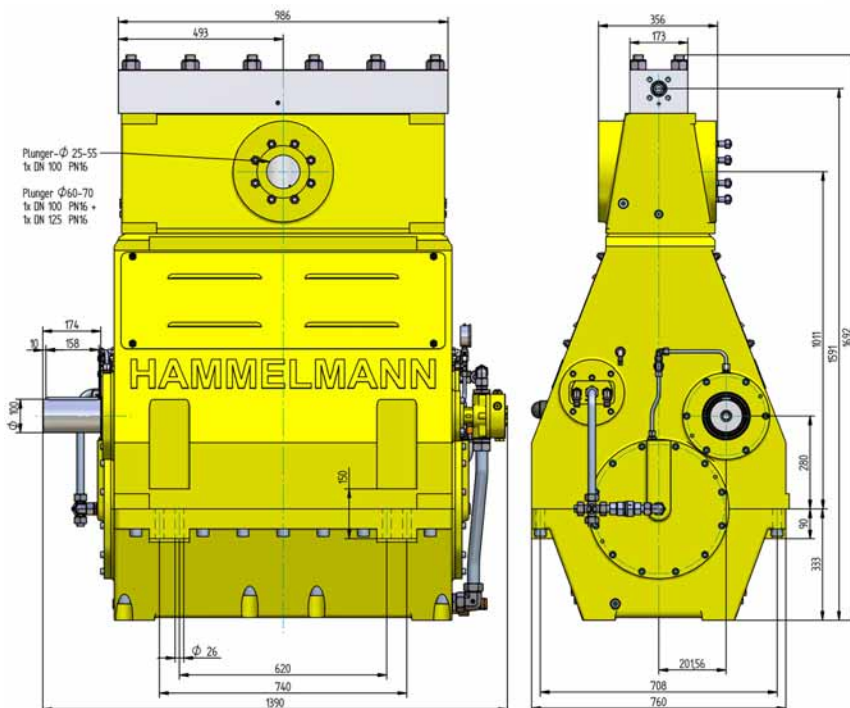


Features

- Power ratings up to 800 kW
- Vertical 5 cylinder design
- Wide variety of complementary ancillaries

Quality and reliability

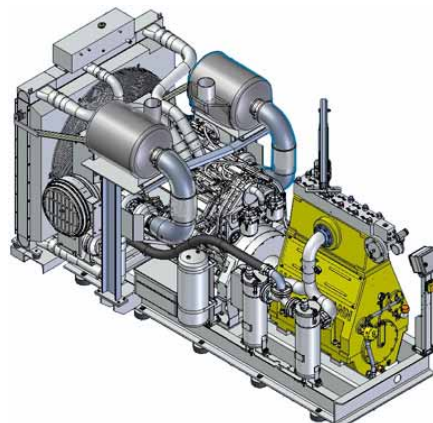
- Stainless steel pump head free of alternating stress
- Cross head piston bellows seal
- Choice of 'application specific' seal assemblies
- Solid ceramic or tungsten carbide plungers
- Choice of bronze or stainless steel suction chamber
- Crank section calculation by 'Finite element method' ensures long working life under continuous load
- Twin helical integral reduction gear with crankshaft supported by 4 bearings
- Pressurised oil lubrication system with oil cooler/filter



Stationary unit with diesel engine

Length: 3970 mm
Width: 2100 mm
Height: 2225 mm
Weight: approx. 9200 kg
at 839 kW and
without full fuel tank

Main dimensions without accessories such as suction line, pressure regulator etc. All shown as right side drive. Detailed dimensional drawings and weights available on request.



Hammelmann
Maschinenfabrik GmbH
Zum Sundern 13-21
D-59302 Oelde • Germany

Telefon (0 25 22) 76-0
Telefax (0 25 22) 76-444
eMail: mail@hammelmann.de
Internet: www.hammelmann.de

HDP 800 series, technical data

Performance parameters (Standard design)

Note: Actual flow rates for water as pumped medium (volumetric efficiency has already been taken into account).

HDP	Q [l/min]	Required power rating [kW]					D	r. p. m.		
		500	560	630	710	800		n 1	n 2	
		Operating pressure [bar]								
804	87* 105* 129*	3000* 2500* 2100*	2800* 2350*	3000* 2600*	2900*	3000*	28	1500 1500/1800 1800	315 380 465	
	141 / 139* 170 / 166* 208 / 203*	1850 1500 1250	2150* 1700 1400	2200* 1950 1600	2200*	2100*		35	1500 1500/1800 1800	315 380 465
*Ultra high pressure										
803	188 227 277	1430 1190 980	1600 1320 1100	1670 1480 1230	1670 1390	1570	40	1500 1500/1800 1800	315 380 465	
	238 288 353	1130 930 770	1270 1040 870	1320 1170 970	1320 1100	1240		45	1500 1500/1800 1800	315 380 465
802	297 357 437	920 750 630	1030 840 700	1070 950 790	1070 890	1000	50		1500 1500/1800 1800	315 380 465
	357 429 522	760 620 520	850 700 580	880 780 650	880 730	830		55	1500 1500/1800 1800	315 380 465
	430 516 628	640 520 430	710 580 490	740 660 550	740 620	690	60		1500 1500/1800 1800	315 380 465
	509 611 745	540 440 370	610 500 410	630 560 470	630 530	590		65	1500 1500/1800 1800	315 380 465
	591 709 864	470 380 320	520 430 360	540 480 400	540 450	510	70		1500 1500/1800 1800	315 380 465
	675 814 992	410 330 280	450 370 310	470 420 350	470 390	440		75	1500 1500/1800 1800	315 380 465
	748 897 1094	360 290 240	400 330 270	410 370 310	410 350	390	80		1500 1500/1800 1800	315 380 465
	801 High flow	748 897 1094	360 290 240	400 330 270	410 370 310	410 350		390	80	1500 1500/1800 1800
		844 1013 1241	310 260 210	350 290 240	370 330 270	370 310	340	85		1500 1500/1800 1800
		957 1148 1399	280 230 190	310 260 210	330 290 240	330 270	310		90	1500 1500/1800 1800
1193 1432 1745		230 190 150	250 210 170	260 230 190	260 220	250	100	1500 1500/1800 1800		315 380 465
1459 1751 2133		190 150 130	210 170 140	220 190 160	220 180	200		110	1500 1500/1800 1800	315 380 465

- Rod force: 210 kN
- Stroke: 100 mm
- Mean piston speed at n₂
315 r.p.m. = 1,06 m/sec
380 r.p.m. = 1,27 m/sec
465 r.p.m. = 1,54 m/sec

Typical high pressure pump units



- Stationary unit with diesel motor



- Diesel unit in container with workshop



- Stationary unit with electric motor

Energy efficient →

Hammelmann plunger pumps convert 93 to 98 % of the shaft power to hydraulic energy.

D = Piston/Plunger dia. [mm]
n1 = Motor/Engine r.p.m. [1/min]
n2 = Crankshaft r.p.m. [1/min]

Conversion table
Rating 1 kW = 1.34 HP
Op. pressure 1 bar = 14.5 psi
Flow rate 1 l = 0.264 US gallon
1 l = 0.22 Imp. gallon

HDP	Seal**	Sealing system
804	Dynamic D 28	Tungsten carbide plunger & bushing
	Dynamic D 35	Tungsten carbide plunger / bronze bushing
803	Dynamic	Ceramic plunger / bronze bushing
	Packing	Ceramic plunger / packing
802	Dynamic D 50 -75	Ceramic plunger / bronze bushing
	Packing D 50 - 80	Ceramic plunger / packing
801	Packing	Ceramic plunger / packing

** The dynamic high pressure sealing extends the advantages of the labyrinth design with further increased efficiency.

HAMMELMANN®